

5

5

LOOK INDUSTRIES
THE FIFTH OFFICIAL CATALOGUE

WE ARE
LOOK
INDUSTRIES

8

INTRODUCTION
Designing a cozier world

10

COMPANY STORY
How it all started back in 2009

12

PATCH
A small coffee table in metal and wood

14

CHIP
A stylish little table for break-out areas and lounges

16

LUMBERYARD
Never underestimate a good table

18

GIANT DONUT
This giant piece of pastry is ideal for chill-out areas

20

THE BOX LOUNGER
When shit gets weird, hide inside The Box

22

THE BOX SOFA
Perfect for secret afterwork parties for three

24

N.A.P.
The Neuron Activation pod and workplace wellbeing

26

CONCEPT
Feels kind of homey around here

32

SIGNS
Our multifunctional indoor crop circles

34

RGB
A playful pouf with a bunch of cool details

36

SPACE CHICKEN
In space no one can hear you cluck.

38

WOODLAND
It's usually nice and quiet in the forest

40

ONETWENTY
A nice little private workspace, a meeting space and a sofa

42

TINY T
A fully upholstered, multi-purpose small chair

46

DEERHEAD
This three-dimensional acoustic panel is a piece of art

48

LOVESTORY
A lot of lovestories starts in a sofa, right?

50

MR. SNUG HIGH
A comfy high-back sofa

52

MR. SNUG LOW
Snug as a bug in a rug

54

AREA
Beautiful modular awesomeness

58

DESIGN PHILOSOPHY
Design from the deepest darkest north

62

MAGAZONE
Stop & Go Workstation and alternative marketing space

64

DAYWALKER
This table should hold at least 20 mojitos and a small dog

66

BULLDOG
Remember that sometimes, just sometimes, size matters

68

BAZOOKA
Check out this mysterious cylinder shaped creation

74

CONTACT INFORMATION
Now you know where to send all your love letters





DESIGNING A COZIER WORLD

At Look Industries we use design to expand the range of possibilities for people who need to get work done, or to take a relaxing break, both in the office and while on the move. From discrete private spaces for individuals, to cozy social spaces for groups, we give modern work places and public spaces the advantages of home. We use a global design language that blends the natural woods, eco-friendly materials and crafted durability of our Nordic design heritage, with the universal emotional triggers of dynamic shapes and beautiful textures.

Look Company Story

Too much f***ing noise. Too many interruptions. So many distractions. So little comfort. Trying to do good work can suck and forget about taking a relaxing break.

It's 2009. Two young designers sit in a noisy lounge, struggling to discuss latest design trends. The surrounding buzz turns their talk to the mounting pressures of modern life: the noise, the distractions, the inability to concentrate, the difficulty of conducting conversations, the "always-on" culture of mobile lifestyles.

In a moment of inspiration, Ivar Gestranus and Kevin Lahtinen start sketching out ideas for furniture that could help distracted people find privacy in busy places.

Today, going beyond privacy, Look also brings new design ideas that encourage interaction and collaboration. Through its thoughtful designs, Look adds creative new ways for employees to work, both on their own and in teams. Look also transforms public spaces to make them more appealing, useful and loved.

WE ARE LOOOK INDUSTRIES

THE BIRTH OF A NORDIC DESIGN EMPIRE

THIS PRODUCT IS GREAT FOR

- ✓ Working on your laptop
- ✓ Weird afternoon tea parties
- ✓ Combining with different types of seating



503

PATCH

DESIGN BY IVAR GESTRANIUS & KEVIN LAHTINEN

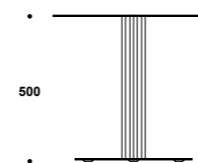
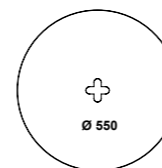
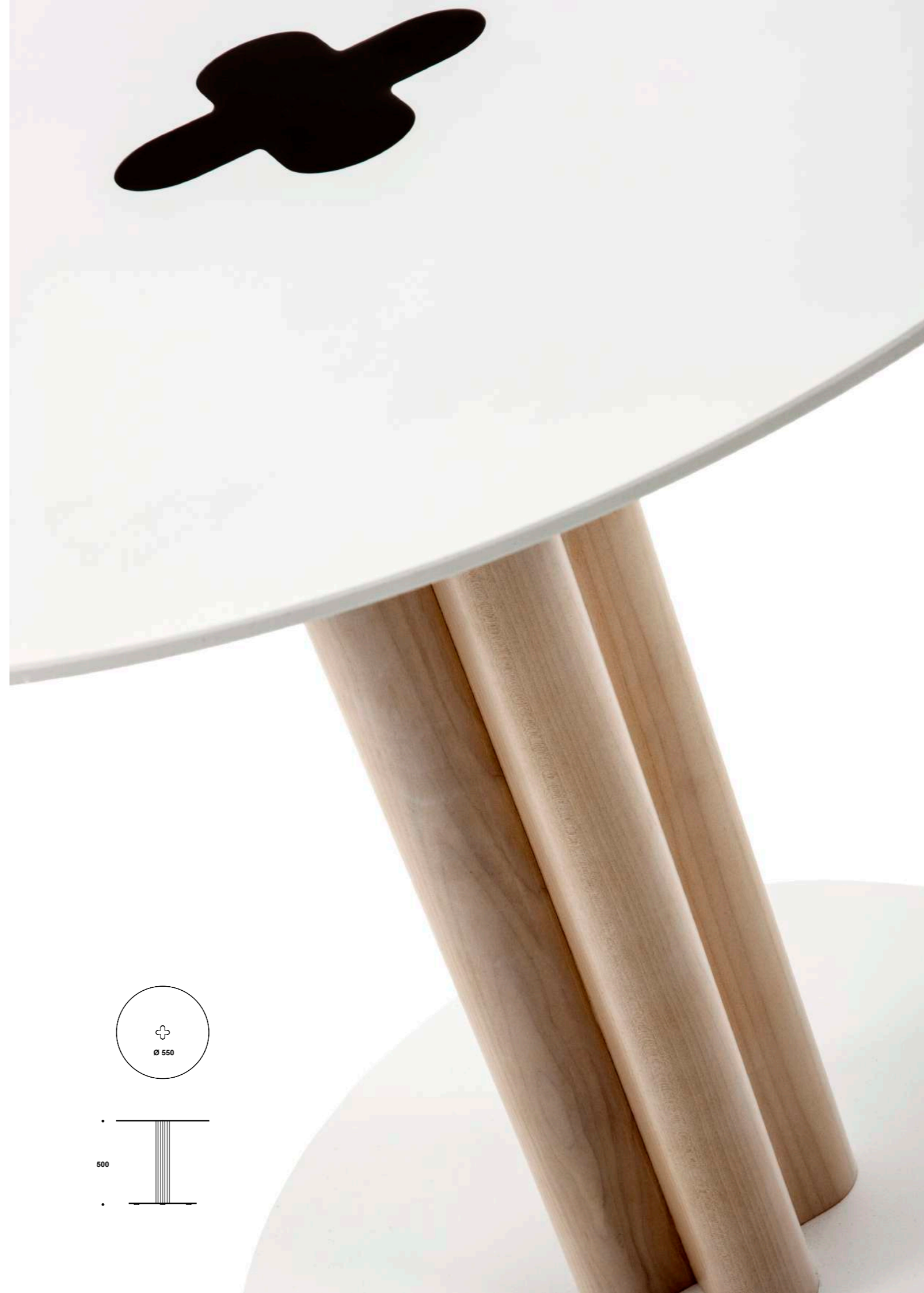
Patch is a small coffee table which combines both wood and metal. It is ideal for break out areas and lounges and can be combined with various types of sofas and armchairs. The metal parts are available in black or white colour.

Materials used in the product:

Base: Lacquered steel and birch
Table top: Lacquered aluminum
Gliders: Injection molded Polyethylene PE 100

Basic Colours & Finishes:

Base in RAL 9003 Effect (White) and white pigmented birch, Base in RAL 9004 Effect (Black) and white pigmented birch
Table top in RAL 9003 Effect (White) or RAL 9004 Effect (Black)



THIS PRODUCT IS GREAT FOR

- ✓ Working on your laptop
- ✓ Both lounges and your own livingroom
- ✓ Combining with different types of seating



504

CHIP

DESIGN BY IVAR GESTRANIUS & KEVIN LAHTINEN

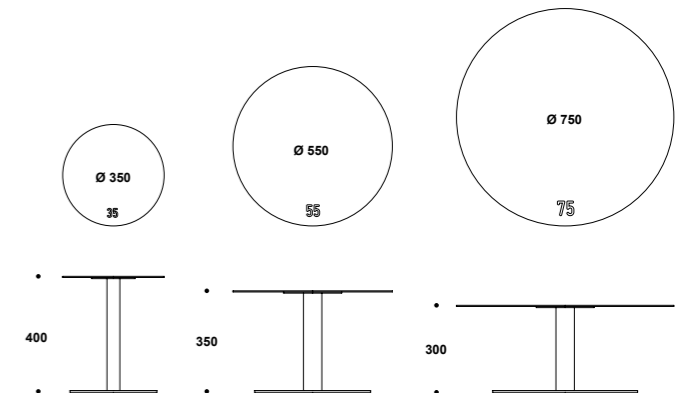
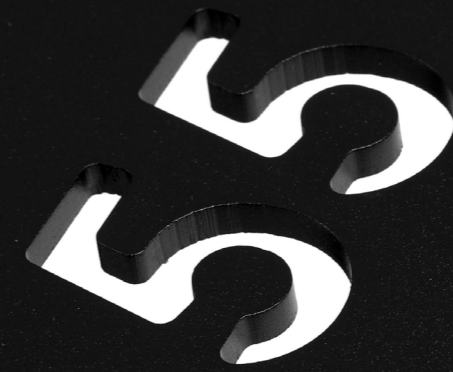
Chip is a coffee table for break out areas and lounges. It comes in three different heights, three different sizes and can be combined with various types of sofas and armchairs. To avoid any confusion, the diameters of the tables are laser cut into the table top as a cool detail. The tables are available in several colours.

Materials used in the product:

Base: Lacquered steel
Table top: Lacquered aluminum
Gliders: Injection molded Polyethylene PE 100

Basic Colours & Finishes:

Base in RAL 9003 Effect (White), Base in RAL 9004 Effect (Black)
Table top in RAL 9003 Effect (White) or RAL 9004 Effect (Black)



THIS PRODUCT IS GREAT FOR

- ✓ Creative workshops
- ✓ Both home and professional environments
- ✓ Teamwork and meetings
- ✓ Crayfish parties at your summerhouse



505
LUMBERYARD
 DESIGN BY IVAR GESTRANIUS & KEVIN LAHTINEN

Never underestimate a good table. There are a lot of things taking place around, on and under a table. This nice looking table works equally great for creative workshops and meetings at the office, as for crayfish parties at your summer house. The wooden A-legs with wedges gives the table a classic and timeless look and it has been pimped up with powder coated metal details which gives it a strong character. According to leading analysts and years of careful calculations, this table should look great in almost any space. It is ideal for lounges, restaurants, offices, conference rooms, living rooms and kitchens.

Available in various sizes and finishes

Table top available with hinged flaps and cable tray for hiding those nasty cables and other stuff. Delivered without cables and sockets

Materials used in the product:

Table top: Massive wood or MDF with veneer

Base: Massive wood

Support structure and details: Lacquered steel

Basic Colours & Finishes:

Metal parts in RAL 9003 Effect (White) or RAL 9004 Effect (Black)

Table top in natural (matte lacquer), white pigmented or black stained Oak or Birch (veneer)

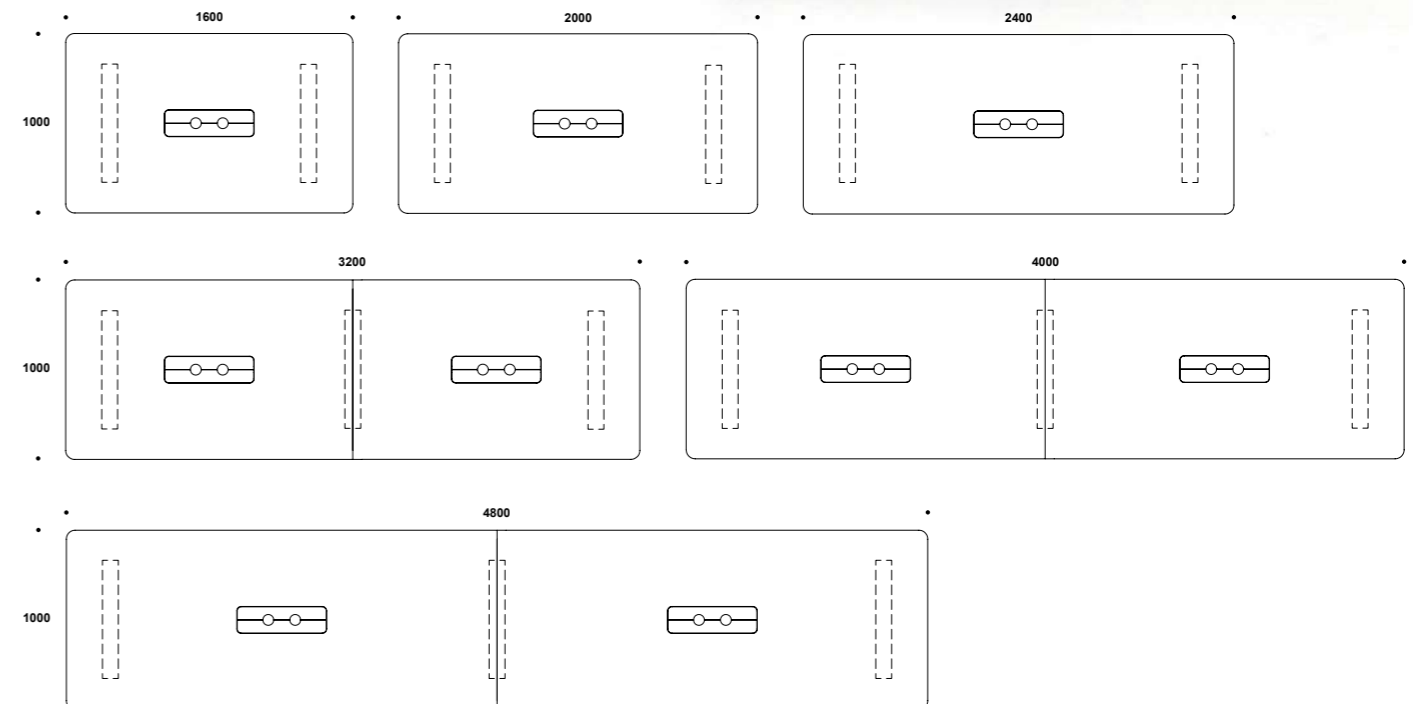
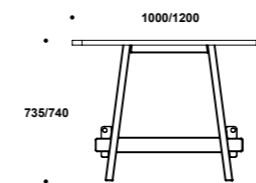
Table top in natural (matte lacquer), white pigmented or black stained Oak or Birch (massive wood)

Table top in white or black laminate

Wooden base in natural (matte lacquer), white pigmented or black stained Oak or Birch

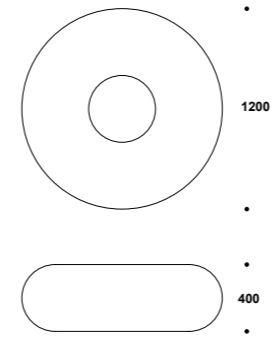
Wooden base in RAL 9003 (White) or RAL 9004 (Black)

We chose to use natural wood for this table. Remember that no natural piece of wood is exactly the same as the next one. The same goes for veneer. If you have an issue with this, you can visit the snowy arctic forest it came from and take it up with Mother Nature.



THIS ITEM IS GREAT FOR

- ✓ Creating unique seating areas
- ✓ Improving the appearance of a space
- ✓ Socializing with co-workers & friends
- ✓ Relaxing



203

GIANT DONUT

DESIGN BY IVAR GESTRANIUS & KEVIN LAHTINEN

Giant Donut is actually, as the name tells us, nothing more than a giant donut that you can sit on. For this particular purpose it does the job quite well though. You can choose to sit on the edge or to get really comfy in the hole in the middle. This giant piece of pastry is ideal for chill-out areas and lounges. The fabric is easily changeable thanks to a super-sized zipper on the side of the product. This means you don't have to worry if you happen to spill some coffee on it.

Fully upholstered

Materials used in the product:

Frame: Injection moulded polyurethane upholstered in fabric
Zipper: Polyester

Basic Colours & Finishes:

Black zipper

We use high quality upholstery fabrics from Kvadrat, Camira, Gabriel and Fidivi



THIS PRODUCT IS GREAT FOR

- ✓ Making phone calls
- ✓ Working on your laptop
- ✓ Taking a quick nap
- ✓ Relaxing
- ✓ Kissing with your co-worker



201 THE BOX LOUNGER

DESIGN BY IVAR GESTRANIUS & KEVIN LAHTINEN

The Box Lounger is a cozy box with a soft sound absorbing material on the inside that dampens outside sounds. It is the perfect place for you to make a phone call, work on your laptop or just relax. The Box Lounger can also be used as a room divider and is available in different colours to match your interior.

The Box Lounger provides a quiet and visually secluded cover from the surrounding noise and movement. Generally this problem can be found in open-space offices and public spaces. The Box Lounger has three different base options.

Available with electric socket

Materials used in the product:

Base: Lacquered tubular steel, wooden legs or swivel base in metal

Frame: Compression moulded birch

Inner frame: High quality foam upholstered in fabric

Gliders: Injection moulded Polyethylene PE 100

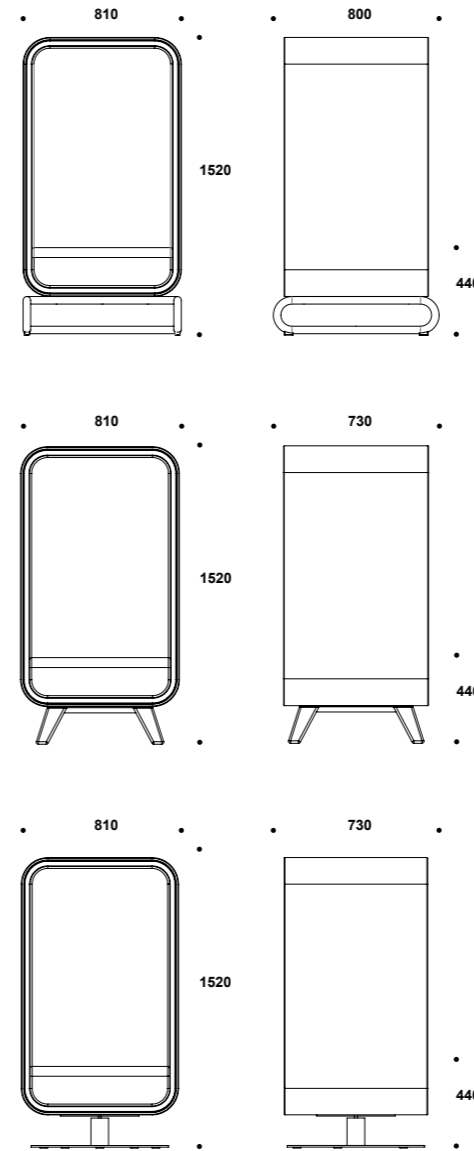
Basic Colours & Finishes:

Frame in RAL 9003 (signal white) with Base in RAL 9003 (signal white)

Frame in RAL 9004 (signal black) with Base in RAL 9004 (signal black)

Frame and base in white pigmented or black stained Birch

We use high quality upholstery fabrics from Kvadrat, Camira, Gabriel and Fidivi



THIS PRODUCT IS GREAT FOR

- ✓ Making phone calls
- ✓ Creating small silent meeting spaces
- ✓ Maximizing teamwork between your co-workers
- ✓ Relaxing
- ✓ Secret after work parties



301 **THE BOX SOFA** DESIGN BY IVAR GESTRANIUS & KEVIN LAHTINEN

The Box Sofa provides a quiet and visually secluded cover from the surrounding noise and movement. Generally this problem can be found in open-space offices and public spaces. The Box Sofa can also be used as a room divider and is available in different colours to match your interior. When two sofas are used face to face it creates a "room inside a room", use this possibility to maximize the teamwork between your co-workers. Be creative, think inside the box. The Box Sofa has two different base options.

Available with electric socket

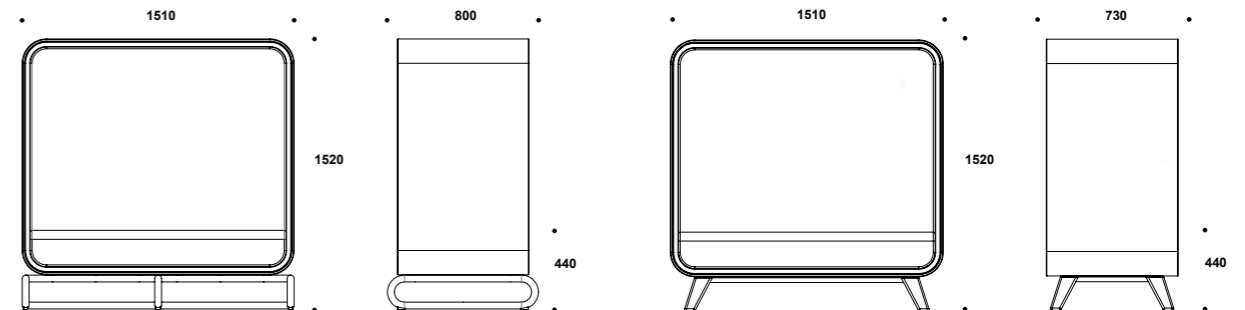
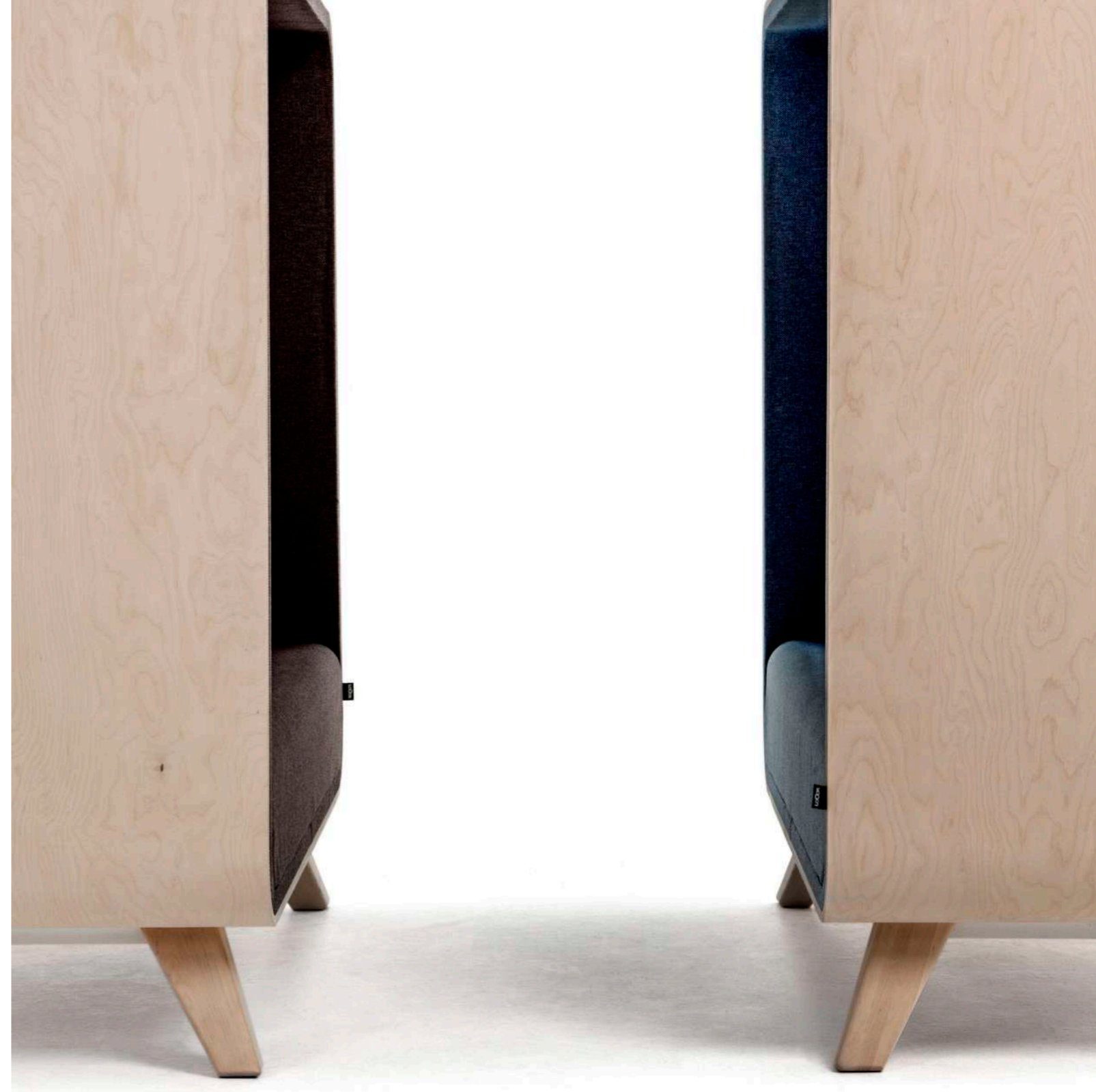
Materials used in the product:

Base: Lacquered tubular steel or wooden legs
Frame: Compression moulded birch
Inner frame: High quality foam upholstered in fabric
Gliders: Injection moulded Polyethylene PE 100

Basic Colours & Finishes:

Frame in RAL 9003 (signal white) with Base in RAL 9003 (signal white)
Frame in RAL 9004 (signal black) with Base in RAL 9004 (signal black)
Frame and base in white pigmented or black stained Birch

We use high quality upholstery fabrics from Kvadrat, Camira, Gabriel and Fidivi



THIS PRODUCT IS GREAT FOR

- ✓ Both relaxation and activation
- ✓ Decreasing work related stress
- ✓ Creating a secluded space for yourself
- ✓ Extra long and cozy powernaps



601
N.A.P.
 DESIGN BY IVAR GESTRANIUS & KEVIN LAHTINEN

N.A.P. or Neuron Activation Pod is actually some next level scifi stuff. Equipped with groundbreaking Finnish technology from the company Neurosonic, this pod is a giant leap towards the office of the future. In recent years, many companies have started to realize the benefits of health and wellbeing in the workplace. Napping in the office has been actively encouraged in many workplaces for some time now, while different types of sleeping pods and silent capsules have been introduced on the market. A quick powernap can greatly improve employee concentration and productivity.

N.A.P. is not only a silent capsule or a traditional nap pod. This pod helps you sleep better but it will also help you relax and recover, depending on which program you choose. It effectively decreases work related stress and ease pain.

Instead of organizations investing in expensive wellness initiatives, maybe they could put their faith in technology? Good looking and great working technology. Some people say this product even helps to ease hangovers, but that is still to be proven scientifically.

Fully upholstered. Available with castors or wooden legs

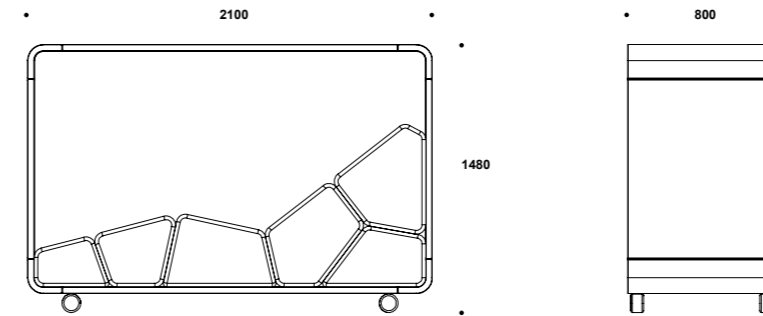
Materials used in the product:

Frame: Compression moulded birch, steel and high quality foam upholstered with fabric
 Base: Castors in polypropylene and thermoplastic rubber or wooden legs in Oak

Basic Colours & Finishes:

Black castors or wooden legs in natural (matte lacquer), white pigmented or black stained Oak

We use high quality upholstery fabrics from Kvadrat, Camira, Gabriel and Fidivi



The Neurosonic technology is based on sensory tissue stimulation, very low frequency sinusoidal vibration, which is targeted simultaneously to the whole body. Stimulation is extremely relaxing both physically and mentally. It is a research based proven and safe treatment with no side effects. The treatment brings a new dimension to fixing stress based symptoms. Neurosonic treatment is used to enhance quality of sleep, to ease stress, muscle tensions and swelling. It activates metabolism and assists in both physical and mental recovery.



RELAXATION PROGRAMS

10-MINUTE RELAXATION PROGRAM

Eases muscle tension, headache and muscle pain. Due to a refreshing effect this program is also good to use during the workday.

20-MINUTE RELAXATION PROGRAM
 This program relaxes muscles intensively and eases especially upper body tensions and pains.

25-MINUTE RELAXATION PROGRAM
 This program helps especially with sleep disorders and with different stress symptoms.

39-MINUTE RELAXATION PROGRAM
 Impacts are very similar to the 25-minute relaxation program. The 39-minute program activates metabolism more. Very relaxing.



ACTIVATING PROGRAMS

12-MINUTE ACTIVATION PROGRAM

A short program to boost alertness and to ease muscle tensions and headaches. Can be used both in the morning and afternoon due to activating effect.

24-MINUTE ACTIVATION PROGRAM
 Suits well to be used before physical work to warm up the muscles. Don't use this program in case you suffer from sleep problems, stress, migraine or epilepsy, use the 12-minute program instead.

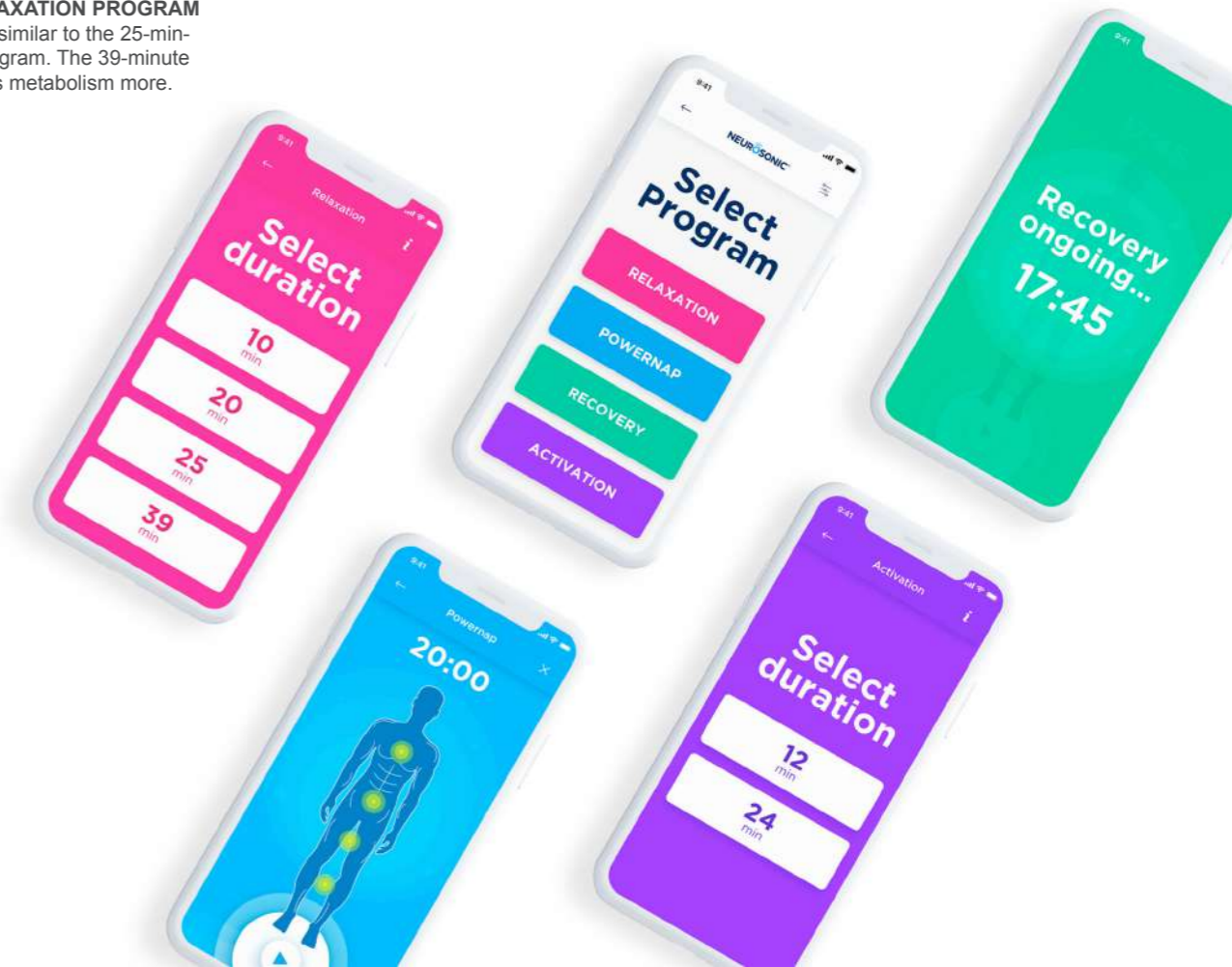


RECOVERY PROGRAMS

37-MINUTE RECOVERY PROGRAM

This program improves physical and mental recovery, sleep and to help with different kinds of pain issues. Boosts blood and fluid circulation and relaxes the muscles.

41-MINUTE RECOVERY PROGRAM
 This program relaxes, recovers and enhances sleep quality. This program is more relaxing than the 37-minute recovery program.



Loook furniture helps busy people thrive

These days, we're constantly followed by the pressures of daily life. Our robust smartphones, pervasive Wi-Fi services and an ever-more-powerful Internet keep us connected, engaged, and distracted. Whether we're at home, in the office or in all the places in between, we're switched "on".

But there's something wrong.

It's getting harder to simply relax. There's no place to kick back, to restore one's energy and to get a clear perspective. At the same time, we often can't do all we would like to do, from pursuing our interests to doing our jobs well.

Why? Because we are surrounded by too much noise, too many distractions and not enough comfort.

Making offices and public spaces feel more like home

At home, we can easily find a quiet place. If there's too much activity in the living room, we can go to the bedroom and close the door. We also have rooms that make conversations with family and friends flow easily. Just being able to sit comfortably and casually seems to help us open up and have more fun. If only we had these benefits wherever we went. So that offices, public spaces, cafés and co-working spaces all better served all our needs.

This is where Loook Industries comes in. We make furniture that makes any space more useful and appealing. We give people who are looking to relax and chill a welcome break. We also help those who are busy to get more done, either on their own or by collaborating with others.

**The missing ingredients: easy individual privacy and natural group collaboration.
Loook makes any location more like home.**

Our privacy furniture lets people shut the door on noise and distractions. Away from the din, they can make important phone calls, relax and refresh themselves or better focus on important tasks. This is space that is only for them, in which they can recharge, refocus and feel human. Just like moving to another room at home.

Our social furniture gives people cozy spaces in which to gather. Away from the surrounding hubbub, groups are able connect more naturally and interact more freely. This is space that inspires the exchange of ideas, fires the collaborative spirit and makes social interaction more rewarding. Just like getting together with friends at home. Loook feels right at home wherever people find themselves.

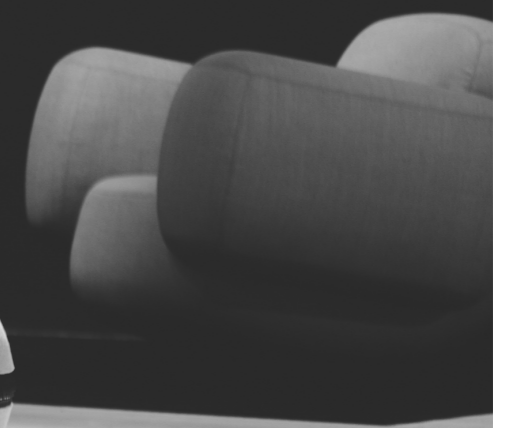
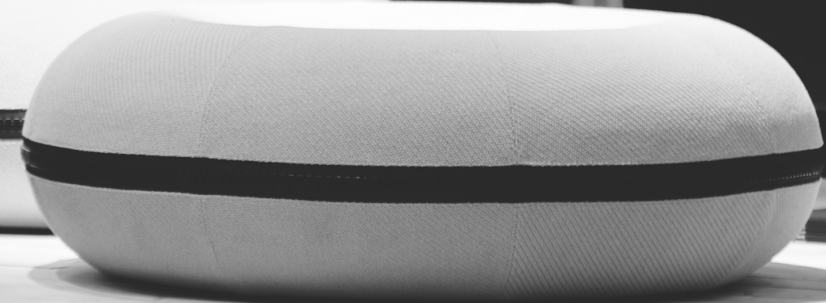
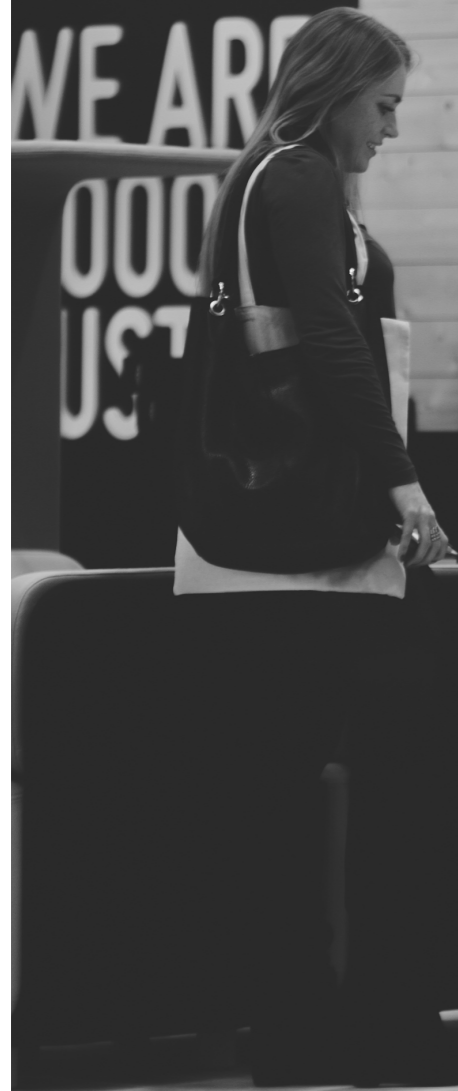
FEELS KIND OF
HOMEY
AROUND
HERE

**INTERACT
WORK
HIDE**

LOOK
INDUSTRIES

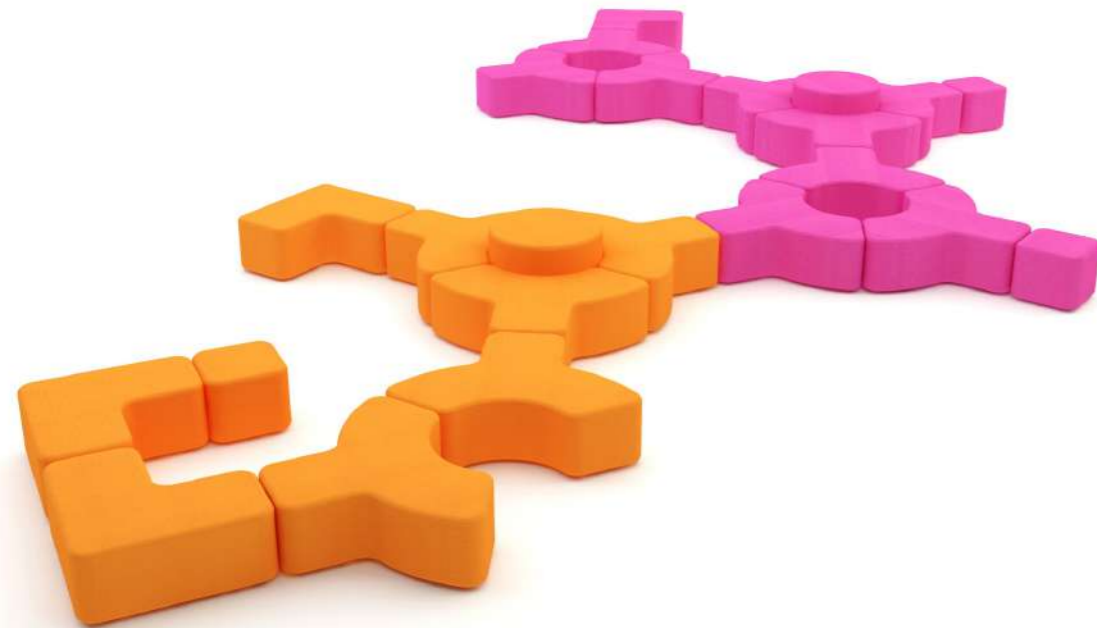


**WE ARE
LOOK
INDUSTRIE**



THIS PRODUCT IS GREAT FOR

- ✓ Creating unique shapes in different sizes
- ✓ Providing seating for lots of people
- ✓ Socializing with co-workers & friends
- ✓ Teamwork
- ✓ Communicating with your alien friends



401

SIGNS

DESIGN BY IVAR GESTRANIUS & KEVIN LAHTINEN

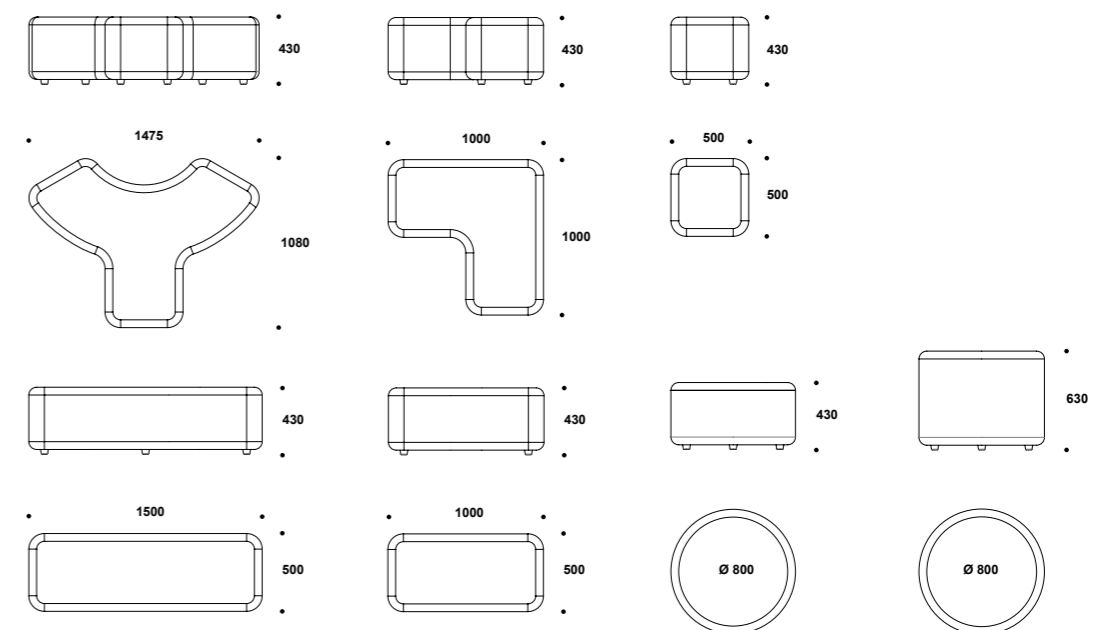
Signs is a modular seating system for public spaces, waiting areas and offices. Signs can be ordered in different configurations and sizes to meet different environments and interior's needs. Signs consists of seven units, the basic piece, a square shaped one-seater, a two-seater, a three-seater, two round pieces of different heights and a corner piece. The units can be used individually or linked together to form different shapes and compositions, from just a few units for a small office to enormous shapes for a large public space. The composition possibilities are almost endless. You can also create your own unique expression with the help of different colours, fabrics and contrast stitching.

Fully upholstered. Wooden legs
Linking device included

Materials used in the product:
Frame: Plywood, high quality foam upholstered in fabric
Legs: Lacquered oak
Linking Device: Lacquered steel

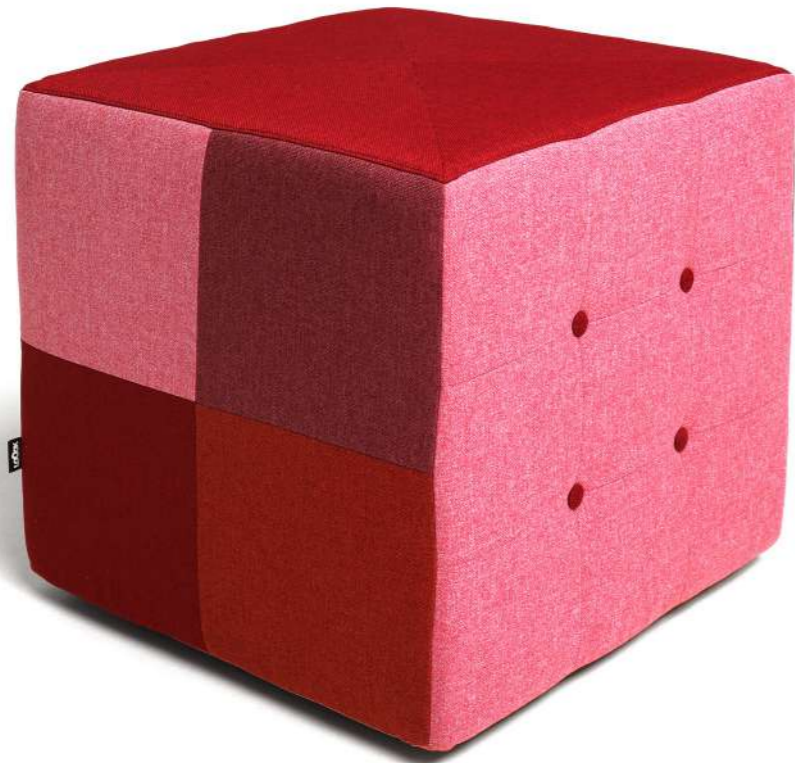
Basic Colours & Finishes:
Wooden legs in RAL 9004 (Black)

We use high quality upholstery fabrics from Kvadrat, Camira, Gabriel and Fidivi



THIS PRODUCT IS GREAT FOR

- ✓ Creating unique seating areas
- ✓ Mobile working environments
- ✓ Activity based offices
- ✓ Racing down the office corridors



405

RGB

DESIGN BY IVAR GESTRANIUS & KEVIN LAHTINEN

RGB is a playful pouf with a bunch of cool details. It comes in three colours; red, green and blue. Well, we also made a grey one as a nice gesture for colour blind people, so we can probably conclude it comes in four colours. Each version has five different shades of the specific colour. All sides on the pouf are different from one another, which makes it almost equally beautiful from all angles.

RGB comes on wheels as standard, making it quite flexible and handy in activity based offices, mobile working environments and other areas where you feel the need for kicking your pouf around. It also works great in lounges, waiting areas and at home.

Not to be confused with KGB. That's a totally different story.

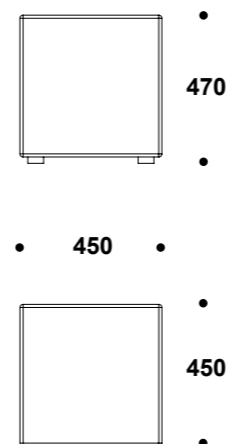
Standard fabric and standard colours (Medley by Gabriel)
Fully upholstered. Available with castors or wooden legs

Materials used in the product:

Frame: Plywood, high quality foam upholstered in fabric
Castors: Stainless steel and thermoplastic rubber
Legs: Lacquered Oak

Basic Colours & Finishes:

Stainless steel castors or wooden legs in RAL 9004 (Black)



THIS PRODUCT IS GREAT FOR

- ✓ Working on your laptop
- ✓ Holding your coffee mug & donut
- ✓ Combining with different types of seating



501 SPACE CHICKEN

DESIGN BY IVAR GESTRANIUS & KEVIN LAHTINEN

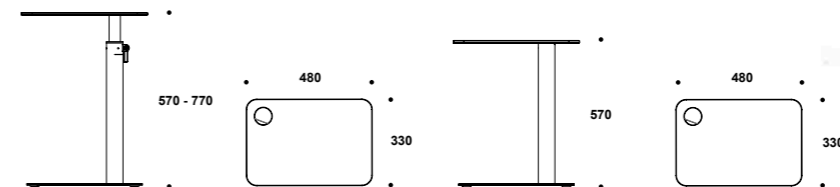
Space Chicken is a small laptop table that is available in various colors. The table is ideal for lounges, offices and public spaces. Of course, it works perfectly well at home too. Space Chicken is height adjustable and allows you to maintain a comfortable and ergonomic working posture that enables productivity from all types of chairs and sofas. Space Chicken is available in both fixed and height adjustable versions.

Materials used in the product:

Base: Lacquered steel
Table top: Formica® compact laminate or aluminum
Adjustment lever: Aluminum and steel
Height-adjustment component: Machined Polyethylene PE 100
Gas spring: Stabilus LIFT-O-MAT, 095214/150N
Gliders: Injection moulded Polyethylene PE 100

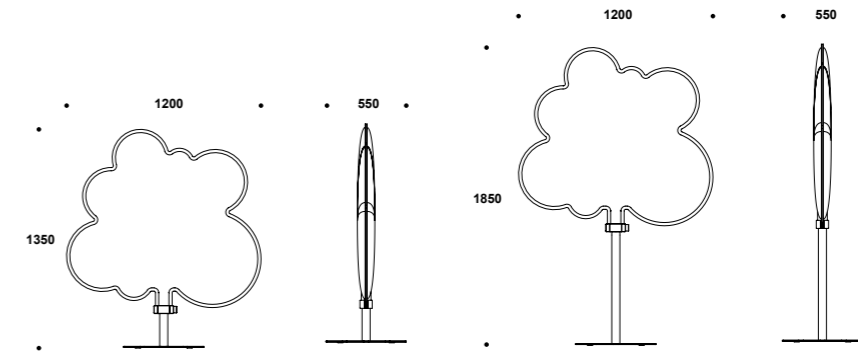
Basic Colours & Finishes:

Base in RAL 9003 Effect (White), Base in RAL 9004 Effect (Black)
Table top in white or black compact laminate
Aluminum tabletop in RAL 9003 Effect (White) or RAL 9004 Effect (Black)



THIS PRODUCT IS GREAT FOR

- ✓ Improving the acoustics and the appearance of a space
- ✓ Separating different zones
- ✓ Creating a secluded space for yourself
- ✓ Playing hide and seek



102

WOODLAND

DESIGN BY IVAR GESTRANIUS & KEVIN LAHTINEN

Woodland is a freestanding space divider with excellent sound-absorbing features. This playful screen provides visual protection while improving the acoustics and functionality of an office or a public space. Woodland is available in two different heights and is ideal for creating secluded privacy areas in lounges, offices and public spaces.

Available with optional black polyester core

Materials used in the product:

Base: Lacquered steel
Screen: Ecopoly - 100% polyester fiber core upholstered in fabric
Gliders: Injection moulded Polyethylene PE 100
Connecting clamp: Lacquered aluminum
Logo label: Silicone

Basic Colours & Finishes:

Base in RAL 9003 Effect (signal white)
Base in RAL 9004 Effect (signal black)
White or black polyester core

We use high quality upholstery fabrics from Kvadrat, Camira, Gabriel and Fidivi



THIS PRODUCT IS GREAT FOR

- ✓ Creating unique modular workspaces
- ✓ Creating different types of meeting spaces
- ✓ Creating private teamwork areas
- ✓ Hiding coat racks and copy machines
- ✓ Separating different zones



403
ONETWENTY
 DESIGN BY IVAR GESTRANIUS & KEVIN LAHTINEN

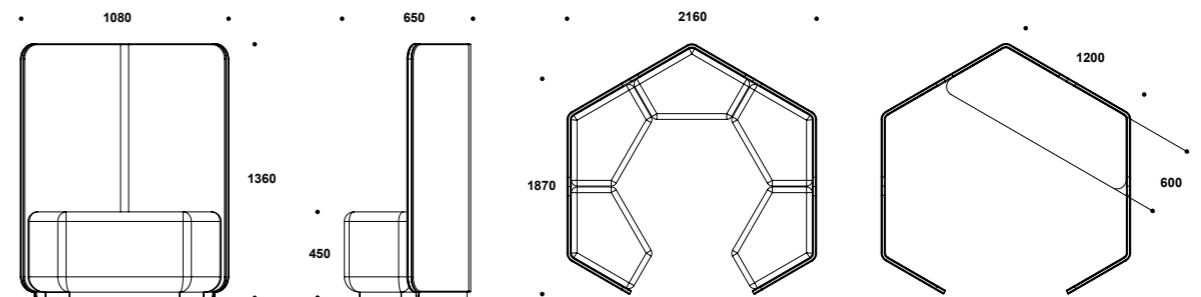
Onetwenty is a multifunctional and modular product consisting of two basic pieces; a wall segment and a pouf. It's unbelievable what you can do with these two elements. You can create two-seater sofas, three-seater sofas, five-seater meeting spaces or just use it as wall segments for creating secluded privacy areas in lounges, offices and public spaces. These are good hiding places for coat racks or a copy machine. Put in a nice carpet and your grandma's old furniture or make it a play room for kids. Add a table top and you have yourself a nice little private workspace. Onetwenty is available with electricity. You can also purchase some extra goodies, like a 500 mm extension piece for extra height and coat hooks.

Fully upholstered
Available with electric socket in both table top and seats
Please include a drawing indicating how you want the elements to be combined when ordering OneTwenty

Materials used in the product:
 Base: Lacquered oak
 Frame: Birch veneer and high quality foam upholstered in fabric
 Gliders: Injection moulded Polyethylene PE 100

Basic Colours & Finishes:
 Base in RAL 9004 (signal black)
 Table top in white pigmented or black stained oak. White or black laminate.

We use high quality upholstery fabrics from Kvadrat, Camira, Gabriel and Fidivi



THIS PRODUCT IS GREAT FOR

- ✓ Creating unique seating areas
- ✓ Improving the appearance of a space
- ✓ Bars, cafés and lounges
- ✓ Sitting on. That's right, it's a chair.



204
TINY T
 DESIGN BY IVAR GESTRANIUS & KEVIN LAHTINEN

Tiny T is a fully upholstered, multi-purpose small chair with various base options. This chair is quite compact and convenient sized and was designed for use in a variety of spaces and situations. The expression of this cozy little chair can be altered by playing around with cool upholstery fabrics and contrast stitching to further accentuate the cool quilted details and buttons. It has the same detailing in the front and on the back so it looks good from all angles.

Tiny T is suitable for many different environments such as lounges, break-out areas, bars and cafés. It would certainly do wonders around the kitchen table at your grandma's place too.

It's not the size that counts, it's how you use it.

Available with contrast stitching and contrast buttons
Available with several base options

Materials used in the product:

Base: Lacquered steel or wooden legs

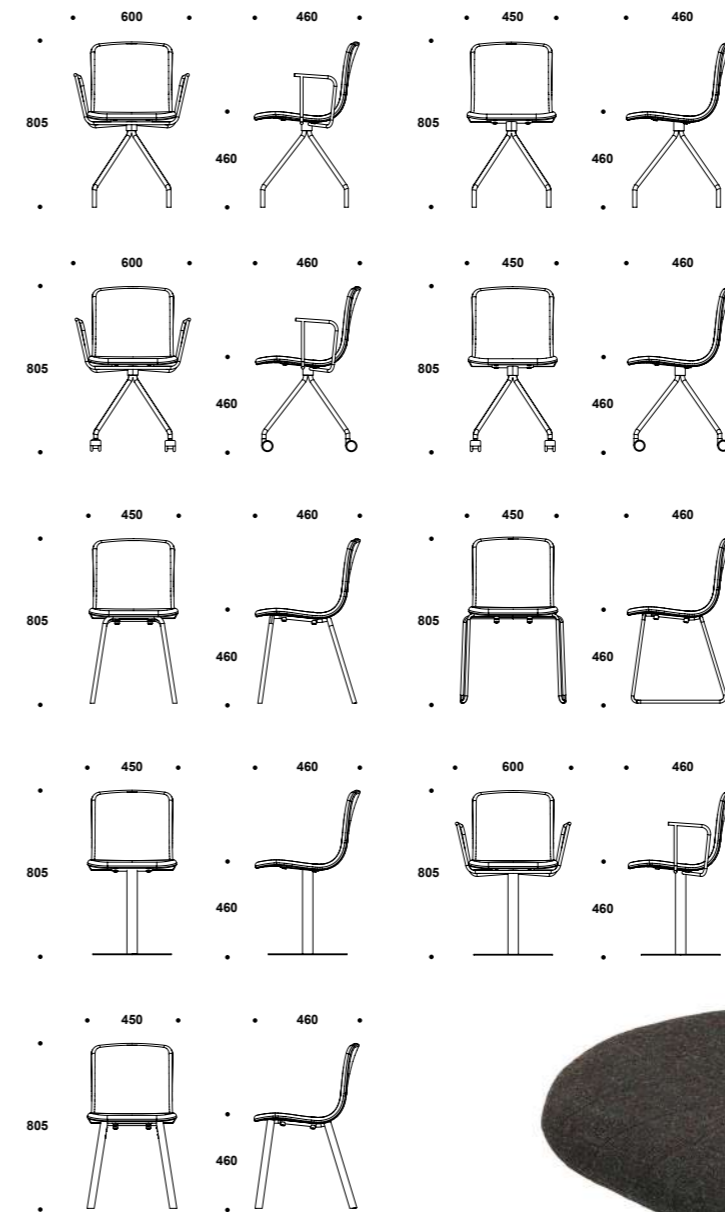
Frame: Compression moulded birch veneer and Injection moulded polyurethane upholstered in fabric

Gliders: Injection moulded Polyethylene PE 100

Basic Colours & Finishes:

Base in RAL 9003 Effect (White), Base in RAL 9004 Effect (Black)

We use high quality upholstery fabrics from Kvadrat, Camira, Gabriel and Fidivi





THIS ITEM IS GREAT FOR

- ✓ Improving the acoustics of a space
- ✓ Improving the appearance of a space
- ✓ Hanging over the fireplace at the hunting lodge



103

DEERHEAD

DESIGN BY IVAR GESTRANIUS & KEVIN LAHTINEN

Deerhead is not a regular acoustic panel. This three-dimensional acoustic panel is a piece of art with excellent sound-absorbing features. It will improve the acoustics of any space, whether it is on the wall of your office or hanging over the fireplace at the hunting lodge. Even though it looks like a hunting trophy, we can assure you no animals were harmed during the development of this product. It's big, it's beautiful and in terms of sound absorption it should be top notch. All the acoustic info can be downloaded from our website.

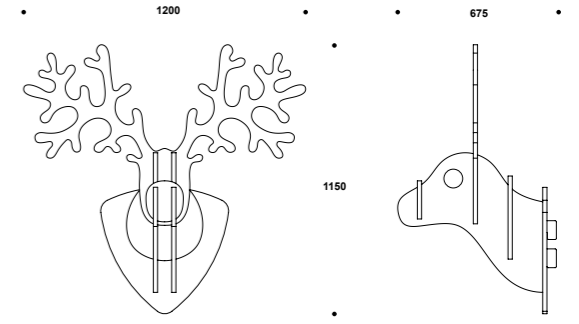
DIY puzzle with 6 pcs.
Delivered with metal wall bracket

Materials used in the product:

Panels: Polyester fiber
Wall bracket: Lacquered steel

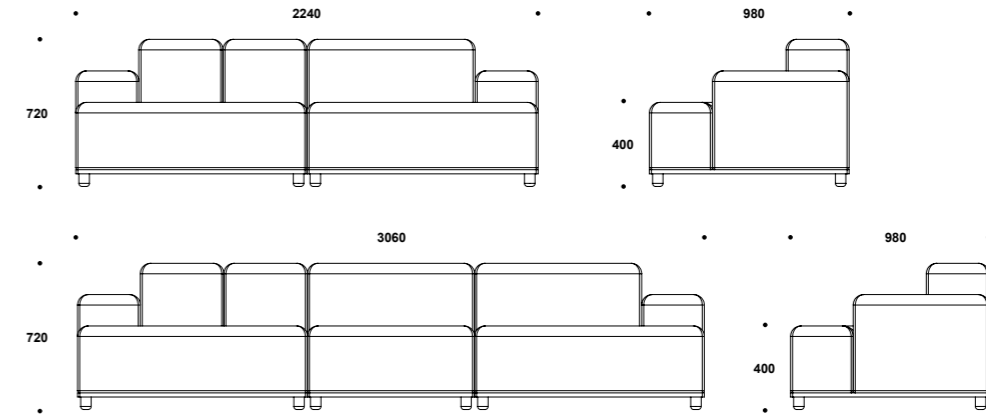
Basic Colours & Finishes:

White polyester fiber panel
Black wall bracket in RAL 9004 Effect (Black)



THIS PRODUCT IS GREAT FOR

- ✓ Relaxed lounging
- ✓ Socializing with co-workers & friends
- ✓ Improving the appearance of a space
- ✓ Couch potatoing



303

LOVESTORY

DESIGN BY IVAR GESTRANIUS & KEVIN LAHTINEN

This is the perfect sofa for those who love comfortable and laid-back lounging. Its fully-sprung seats and soft backrest makes it super comfy and the perfect choice of sofa even for the pickiest of couch potatoes. It is not only exceptionally comfortable but also beautiful both from the front and from the back. The simple and uncomplicated shape of the sofa is spiced up by decorative quilted details which makes this piece of furniture stand out in any space, without visually overpowering its surroundings.

This sofa is ideal for lounges and break-out areas, lobbies and reception areas, but will most definitely look damn good in your living room too.

A lot of love stories starts in a sofa, right?

Fully upholstered

Available in 2-seater and 3-seater versions

Available with contrast stitching and button

Pieces are held together by metal connecting brackets

Materials used in the product:

Base: Oak

Frame: Plywood, high quality foam upholstered in fabric

Gliders: Felt

Basic Colours & Finishes:

Base in natural (matte lacquer), white pigmented or black stained oak

We use high quality upholstery fabrics from Kvadrat, Camira, Gabriel and Fidivi



THIS PRODUCT IS GREAT FOR

- ✓ Creating unique seating areas
- ✓ Combining with it's low-back version twin
- ✓ Creating private meeting spaces
- ✓ Relaxing



302H **MR. SNUG HIGH** DESIGN BY IVAR GESTRANIUS & KEVIN LAHTINEN

Mr. Snug is available in a high-back and a low-back version. Two high-back models can be placed opposite each other to create private, screened-off areas where people can interact with each other or just re-charge for a while.

The slightly more discreet low-back model has a nice retro look and is perfect for chilling and socializing. It also goes really nicely with its high-back friend. Combine both high- and low-back models to create stylish, versatile and functional seating areas in public spaces and office environments.

Fully upholstered

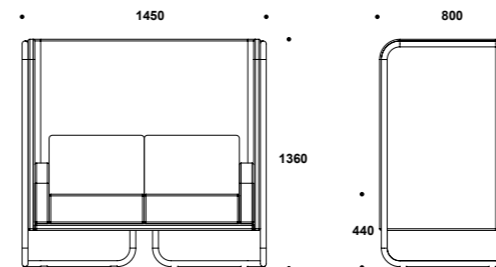
Materials used in the product:

Base: Lacquered tubular steel
Frame: Compression moulded birch veneer, high quality foam upholstered in fabric
Gliders: Injection moulded Polyethylene PE 100

Basic Colours & Finishes:

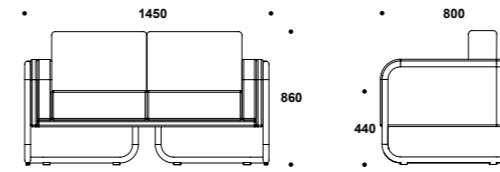
Base in RAL 9003 Effect (signal white) or RAL 9004 Effect (signal black)

We use high quality upholstery fabrics from Kvadrat, Camira, Gabriel and Fidivi



THIS PRODUCT IS GREAT FOR

- ✓ Creating unique seating areas
- ✓ Combining with it's high-back version twin
- ✓ Relaxing
- ✓ Taking a quick nap



302L
MR. SNUG LOW
DESIGN BY IVAR GESTRANIUS & KEVIN LAHTINEN

Mr. Snug is available in a high-back and a low-back version. Two high-back models can be placed opposite each other to create private, screened-off areas where people can interact with each other or just re-charge for a while.

The slightly more discreet low-back model has a nice retro look and is perfect for chilling and socializing. It also goes really nicely with its high-back friend. Combine both high- and low-back models to create stylish, versatile and functional seating areas in public spaces and office environments.

Fully upholstered

Materials used in the product:

Base: Lacquered tubular steel
Frame: Compression moulded birch veneer, high quality foam upholstered in fabric
Gliders: Injection moulded Polyethylene PE 100

Basic Colours & Finishes:

Base in RAL 9003 Effect (signal white) or RAL 9004 Effect (signal black)

We use high quality upholstery fabrics from Kvadrat, Camira, Gabriel and Fidivi



THIS PRODUCT IS GREAT FOR

- ✓ Creating unique modular seating areas
- ✓ Relaxing, teamwork and meetings
- ✓ Moving around from one area to another
- ✓ Creating multifunctional privacy and interaction areas
- ✓ Charging your laptop or phone



402

AREA

DESIGN BY IVAR GESTRANIUS & KEVIN LAHTINEN

Area is a modular seating system that can offer different levels of privacy whenever needed. By adding different components to a basic seat you can make almost any kind of configuration to suit your needs. You can build anything from a comfy private one-seater, to a two-seater sofa with high-back and roof, or a 99-seater (I've got 99 problems but a seat ain't one) low-back sofa. The seating system is available with castors, if you feel the need to move it around.

Fully upholstered
Available with turnable laptop table and with castors. Freestanding 1-seater units available with swivel base
Please include a drawing indicating how you want the elements to be combined when ordering Area

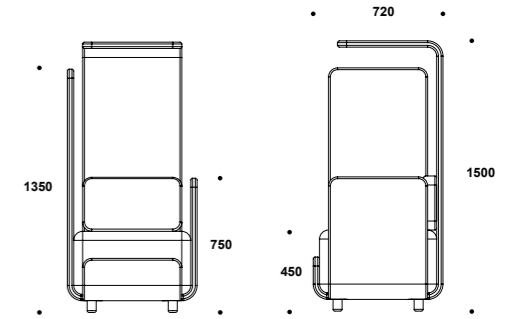
Materials used in the product:

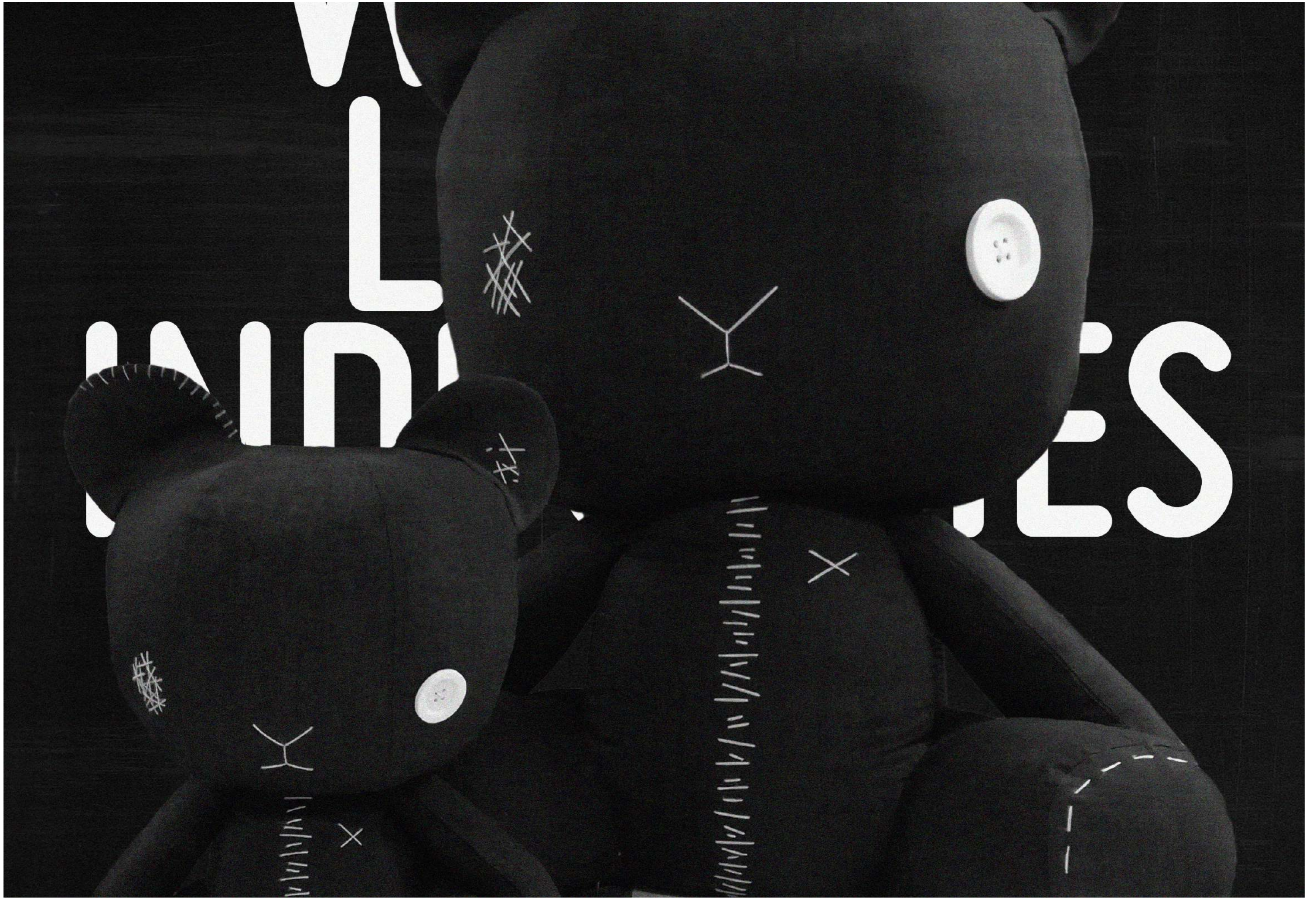
Frame: Plywood, tubular steel and high quality foam
Base: Wooden legs, swivel base in lacquered steel or castors in polypropylene and thermoplastic rubber
Table: Lacquered steel

Basic Colours & Finishes:

Legs in natural (matte lacquer), white pigmented or black stained Oak
Swivel base in RAL 9004 Effect (signal black)
Laptop table in RAL 9003 Effect (signal white) or RAL 9004 Effect (signal black)
Black castors

We use high quality upholstery fabrics from Kvadrat, Camira, Gabriel and Fidivi





DESIGN FROM THE DEEPEST DARKEST NORTH

Look design philosophy

Thrive well everywhere

We use design to expand the range of possibilities for people who need to get work done or to take a relaxing break, both in the office and while on the move. From discrete private spaces for individuals, to cozy social spaces for groups, we give modern work places and public spaces the advantages of home. We use a global design language that blends the natural woods, eco-friendly materials and crafted durability of our Nordic design heritage, with the universal emotional triggers of dynamic shapes and beautiful textures.

Why Look design works:

Approachable

Look furniture is friendly. People are naturally drawn to our shapes, colors and textures.

Practical

Look furniture is useful. It serves the purpose, from shielding noise and distraction, to encouraging fruitful conversations.

Comfortable

Look furniture is cozy. It relaxes people, allowing them to be themselves, to focus on tasks and to open up to others.

Inspiring

Look furniture sparks imagination. Our designs give people the space to do their best whatever their needs and desires, wherever they find themselves.

Look changes the way people and furniture get along.



THIS PRODUCT IS GREAT FOR

- ✓ Making phone calls
- ✓ Working on your laptop
- ✓ Quick meetings for two
- ✓ Providing an alternative advertisement space



101 **MAGAZONE** DESIGN BY IVAR GESTRANIUS & KEVIN LAHTINEN

Magazone is a Stop & Go work space that allows you to perform short tasks while out and about. This work area has a unique design and a person standing behind it gives the appearance of someone reading a large newspaper. The sound absorbing material on the inside of the screen ensures your privacy when working on your laptop. Magazone also offers privacy for a quick meeting for two.

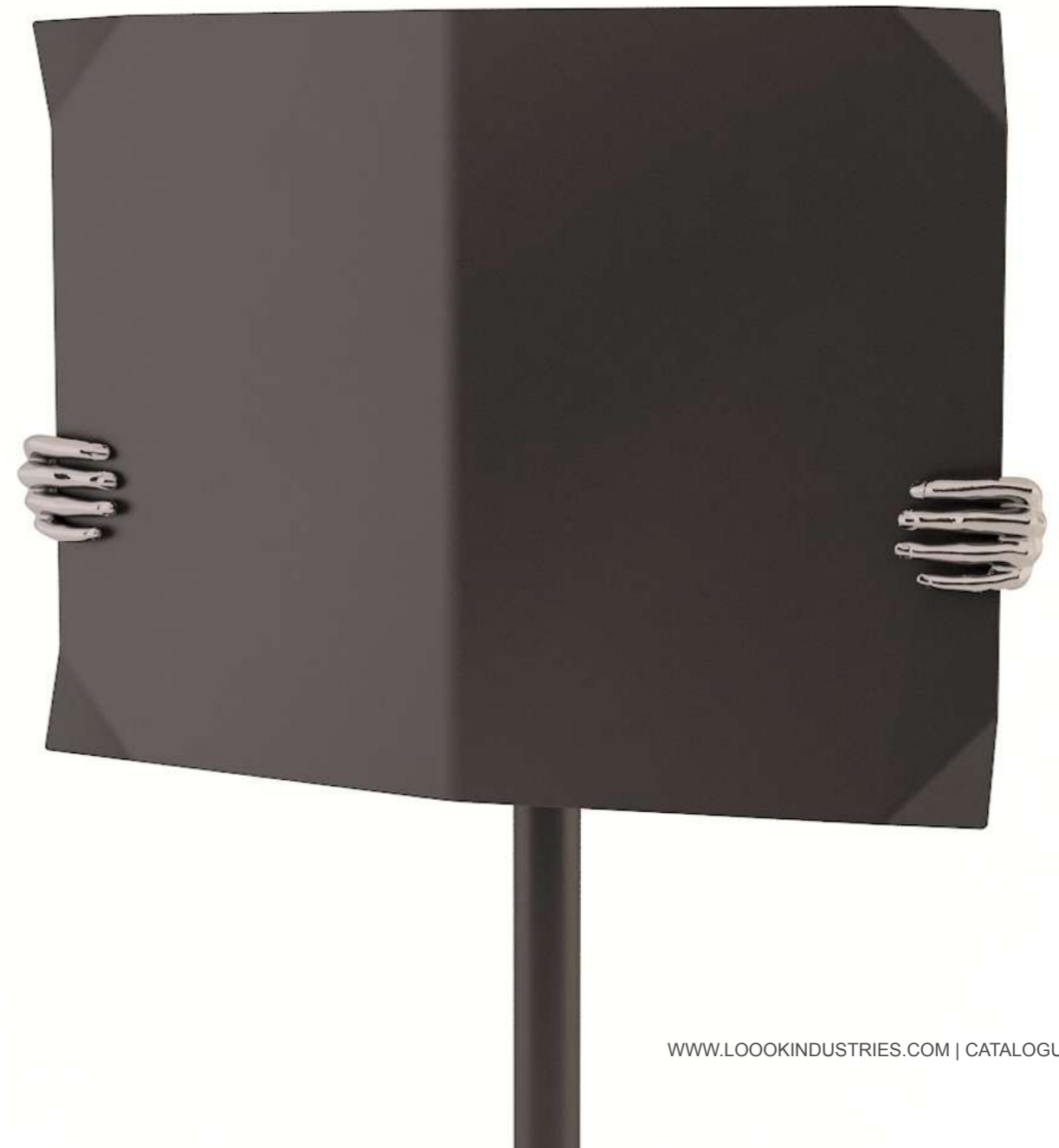
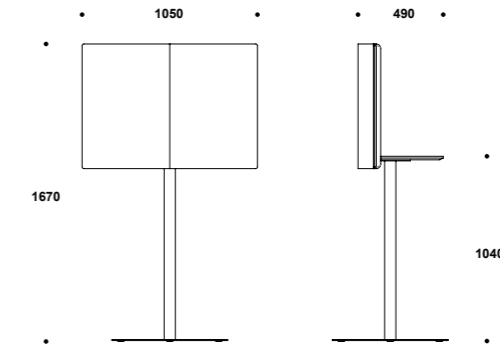
Materials used in the product:

Base: Lacquered steel
Tabletop: Lacquered MDF
Screen: Compression moulded birch, high quality foam upholstered in fabric
Hands: Casted aluminum
Gliders: Injection moulded Polyethylene PE 100

Basic Colours & Finishes:

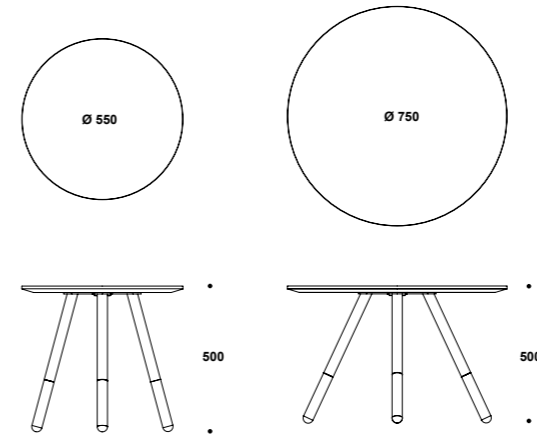
Screen in RAL 9003 (signal white) with Base in RAL 9004 Black Effect. Hands in polished aluminum
Screen in RAL 9004 (signal black) with Base in RAL 9004 Black Effect. Hands in polished aluminum

We use high quality upholstery fabrics from Kvadrat, Camira, Gabriel and Fidivi



THIS PRODUCT IS GREAT FOR

- ✓ Working on your laptop
- ✓ Holding at least ten mojitos
- ✓ Combining with different types of seating



502

DAYWALKER

DESIGN BY IVAR GESTRANIUS & KEVIN LAHTINEN

Daywalker is a playful, yet stylish coffee table designed for environments such as break-out areas and lounges. The table comes in two sizes and can be combined with various types of sofas and armchairs. Choose between different table-leg colours to give the table an even more distinctive look. The big Daywalker table should easily hold at least 20 mojitos, a chainsaw and a small dog.

Materials used in the product:

Base: Lacquered tubular steel
Tabletop: Lacquered MDF or Oak
Legs: Lacquered tubular steel or Oak
Gliders: Injection moulded Polyethylene PE 100

Basic Colours & Finishes:

Table top in RAL 9003 (White) or RAL 9004 (Black)
Legs in RAL 9003 (White) or Legs in RAL 9004 (Black)
Base in RAL 9003 (White) or RAL 9004 (Black)

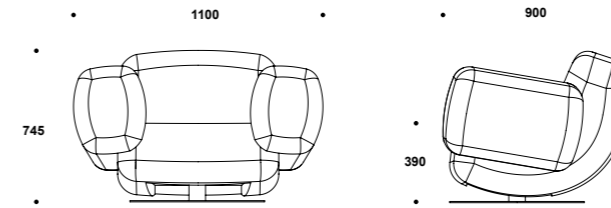
or

Table top in natural, white pigmented or black stained oak
Legs in natural, white pigmented or black stained oak
Base in RAL 9003 Effect (White) or RAL 9004 Effect (Black)



THIS PRODUCT IS GREAT FOR

- ✓ Creating unique seating areas
- ✓ Improving the appearance of a space
- ✓ Relaxing
- ✓ Giving your ego a boost



202

BULLDOG

DESIGN BY IVAR GESTRANIUS & KEVIN LAHTINEN

Bulldog is a big comfortable chair for cosy lounging. This soft little giant makes a statement in chill-out areas, lounges and other locations that need some spicing up. Lean back in this majestic creation with a drink in your hand and feel like royalty. Remember that sometimes, just sometimes, size matters.

Fully upholstered

Materials used in the product:

Base: Lacquered steel
Frame: Plywood and steel, injection moulded polyurethane upholstered in fabric
Gliders: Injection moulded Polyethylene PE 100

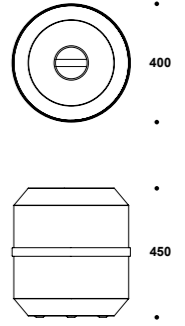
Basic Colours & Finishes:

Base in RAL 9003 Effect (signal white), Base in RAL 9004 Effect (signal black)

We use high quality upholstery fabrics from Kvadrat, Camira, Gabriel and Fidivi

THIS ITEM IS GREAT FOR

- ✓ Creating unique seating areas
- ✓ Environments that needs flexibility
- ✓ Carrying around



404 **BAZOOKA** DESIGN BY IVAR GESTRANIUS & KEVIN LAHTINEN

Bazooka is a small stylish pouf for lounges, offices and public spaces. Thanks to a handle hidden inside this mysterious cylinder shaped creation, you can carry it around without any problem. A wooden detail around the pouf gives it a moderately Nordic look while adding a little luxury.

Fully upholstered

Materials used in the product:

Frame: Injection moulded polyurethane upholstered in fabric
Details: Birch
Gliders: Injection moulded Polyethylene PE 100

Basic Colours & Finishes:

Wooden details in natural (matte lacquer), white pigmented or black stained Birch

We use high quality upholstery fabrics from Kvadrat, Camira, Gabriel and Fidivi





WE ARE
LOOK
INDUSTRIES

Stay up-to-date with what's going on at Look Industries by following us on Facebook, Twitter or Instagram. There you will find all the latest stuff.



Look Industries Ltd. | Pitkäsillanranta 13 V 1 | 00530 Helsinki | Finland
+358 (0) 40 169 3001 | info@lookindustries.com



WWW.LOOKINDUSTRIES.COM